



Air Filters and Filler Breathers

FA-3 / FB-1 / FB-2 / FT series



Technical information

	TANK CONNECTION			HOUSING MATERIAL		FILTER MEDIA		
	THREAD	FLANGE	WELDING	STEEL	PLASTICS	FIBER	CELLULOSE	VELVET WIRE
FA-3		X		X		X	X	
FB-1	X			X			X	X
FB-2		X			X	X	X	
FT-5		X		X			X	
FT-7	X			X			X	
FT-8*/1-2		X		X			X	
FT-8*/F		X		X			X	
FT-8*/G			X	X			X	
FT-8*/S			X	X			X	

Pressurizing valve: 0,35 or 0,75 bar (for FT7 and FT8 series only, when specified)

Working temperature: -25° + 110°C (-13°F +248°F)

Fluid compatibility (acc. to ISO 2943):

Full with HH-HL-HM-HV (acc. to ISO 6743/4).

For use with other fluid applications please contact Filtrec Customer Service (info@filtrec.it).

FA-3 Series

Flanged mounting assembly, with spin-on cartridge air filter



Technical information

Materials: Canister: painted steel
 Flange and basket: zinc plated steel
 Gaskets: cork

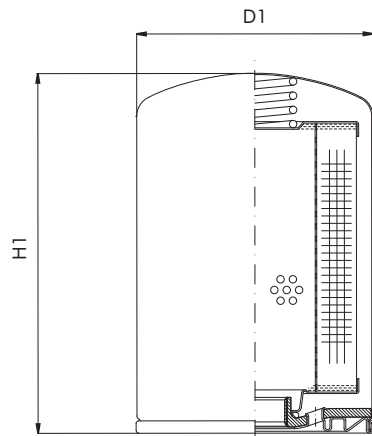
Filter media: Cellulose (air filtration 3 μm)
 Glassfiber (air filtration 1 μm)

Ordering information

		NOMINAL SIZE	FILTER MEDIA
Filter assembly FA-3		20	C03
Filter element A3		20	C03
		NOMINAL SIZE	
WE	assembly without element		
10÷21	see table "nominal size"		
			FILTER MEDIA

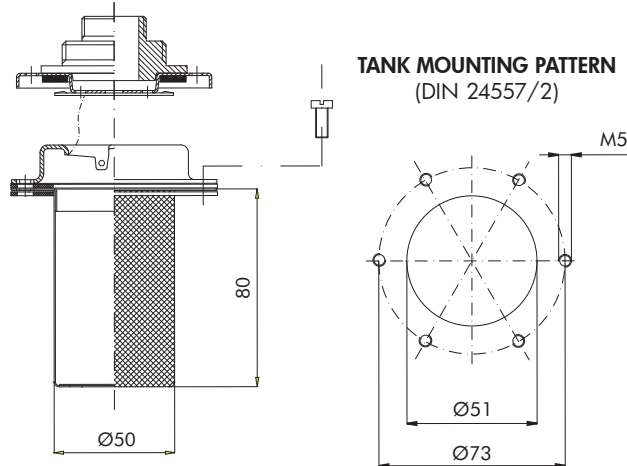
C03	cellulose (air filtr. 3 μm)		
G10	glassfiber (air filtr. 1 μm)		

Overall dimensions



Nominal size

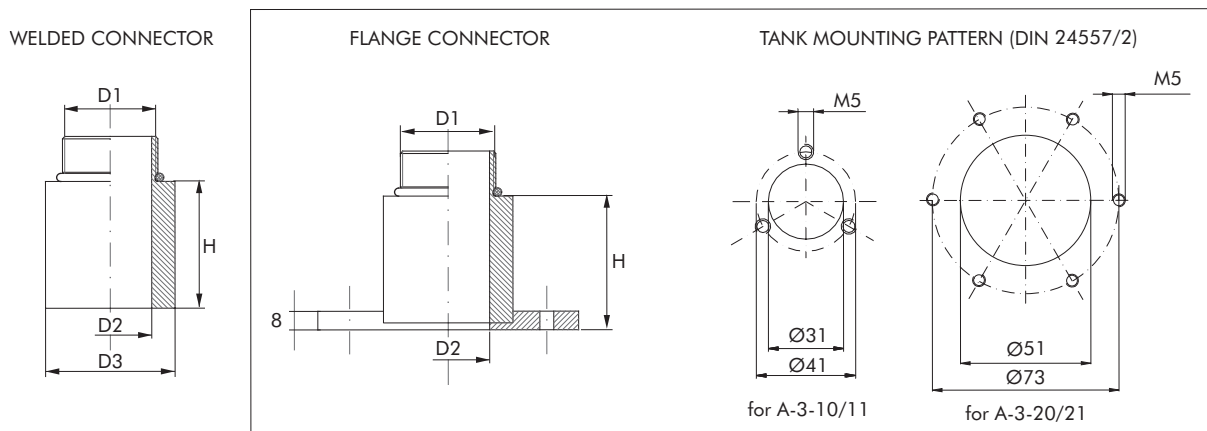
CODE	D1	H1	Air flow l/min	ELEMENT
FA-3-10	96	145	1.800	A-3-10
FA-3-11		213		A-3-11
FA-3-20	129	180	2.800	A-3-20
FA-3-21		228		A-3-21



A3 Series - possible alternative applications

The A3 cartridges can be used as air filters directly mounted on the top of the reservoir (one or more pcs, depending on the air flow rate), with a simple threaded connector welded or flanged on the reservoir.

Here below the examples of suggested connectors dimensions (NOT supplied by Filtrec)



Nominal size

FOR ELEMENT	D1	D2	D3	H
A-3-10 / A-3-11	3/4" BSP	18	32	58
A-3-20 / A-3-21	1 1/4" BSP	32	48	58

FB-1 Series

Air breather filters with removable filter elements



Technical information

Materials: Cap: - painted steel

Filter media: Cellulose
Velvet wire

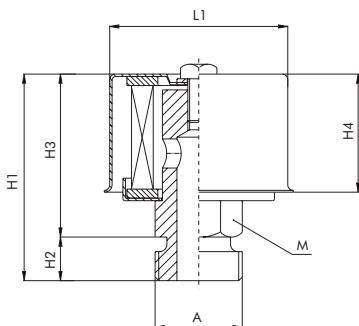
Ordering information

	NOMINAL SIZE	MEDIA	CONNECTION
Filter assembly FB-1	10	C10	B2
Filter element B1	10	C10	

MEDIA	
C10	cellulose 10 μm
C40	velvet wire 40 μm

CONNECTION	
B1	1/4" BSP
B2	3/8" BSP
B3	1/2" BSP
B4	3/4" BSP
B5	1" BSP

Overall dimensions



Nominal size

CODE	A	H1	H2	H3	H4	L1	M
FB-1-10	1/4" - 3/8" BSP	54	9	45	32	48	14/19
FB-1-20	1/2" - 3/4" BSP	69	10	59	50	67	22
FB-1-30	1" BSP	91	15	76	61	108	34

FT-7 Series

Air breather filters



Technical information

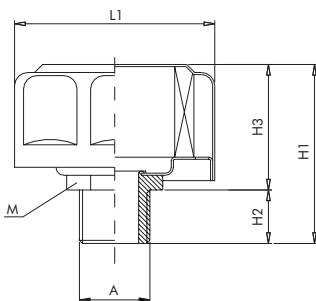
Materials: Cap: chrome plated steel

Filter media: Cellulose

Ordering information

FT-7		MEDIA	CONNECTION	PRESSURIZING VALVE
		C10	B4	V07
		MEDIA		
C10	cellulose 10 μm			
C40	cellulose 40 μm			
		CONNECTION		
B3	1/2" BSP			
B4	3/4" BSP			
			PRESSURIZING VALVE	
V03	0,35 bar / 5 psi			
V07	0,75 bar / 10,8 psi			
---	no valve			

Overall dimensions



Nominal size

CODE	A	H1	H2	H3	L1	M
FT-7	3/4" - 1/2" BSP	67	20	47	75	32

FB-2 series

Flanged mounting assembly, with removable filter elements



Technical information

Materials: Housing: plastics
 Basket: plastics
 Guarnizioni: NBR

Filter media: Cellulose (air filtration 3 μm)
 Glassfiber (air filtration 1 μm)

Ordering information

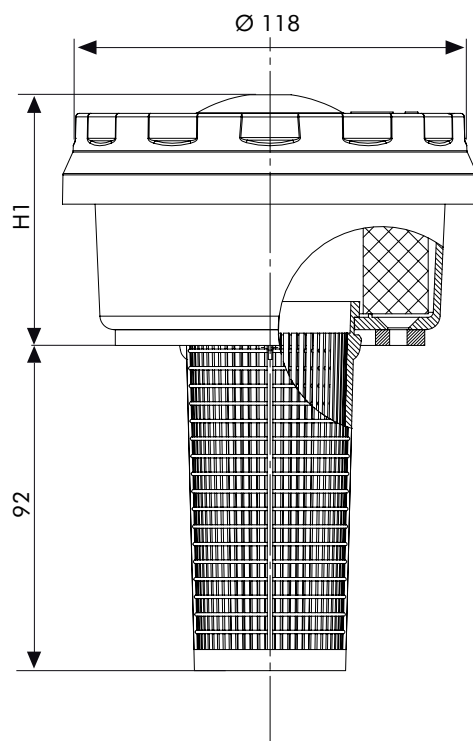
	NOMINAL SIZE	CONNECTION	FILTER MEDIA	OPTIONS
Filter assembly FB-2	50	D2	C10	000

Filter element B2	50		C10	
------------------------------	-----------	--	------------	--

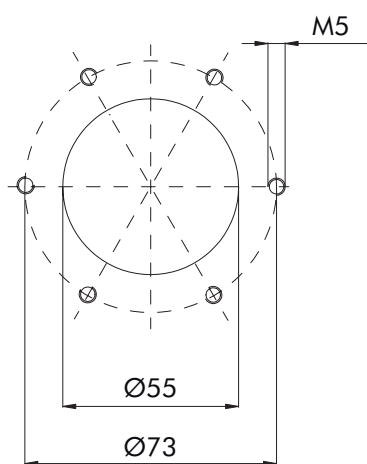
NOMINAL SIZE	
50	short version
51	standard version

FILTER MEDIA	
000	no element
C10	cellulose (air filtr. 3 μm)
G10	glassfiber (air filtr. 1 μm)

Overall dimensions



TANK MOUNTING PATTERN
(DIN 24557/2)



MODEL	H1	Air flow l/min
FB-2-50	46	1.400
FB-2-51	74	1.800

FT series

Flanged and welded mounting filler breathers

Technical information

- Materials:**
- Cap: chrome plated steel
 - Basket: zinc plated steel
 - Flange: zinc plated steel
 - Gasket: cork

Filter media: Cellulose 10 - 40 μm

Ordering information



MEDIA	
C10	cellulose 10 μm
C40	cellulose 40 μm

Filter assembly FT	NOMINAL SIZE	MEDIA	MOUNTING TYPE	PRESSURIZING VALVE	PADLOCK HOLDER
	8	C10	/2	V07	L

MOUNTING TYPE	
--	FT-5 only
/1	flange, basket L 80
/2	flange, basket L 150
/F	flange, removable basket
/G	welding flange
/S	with antispash tube

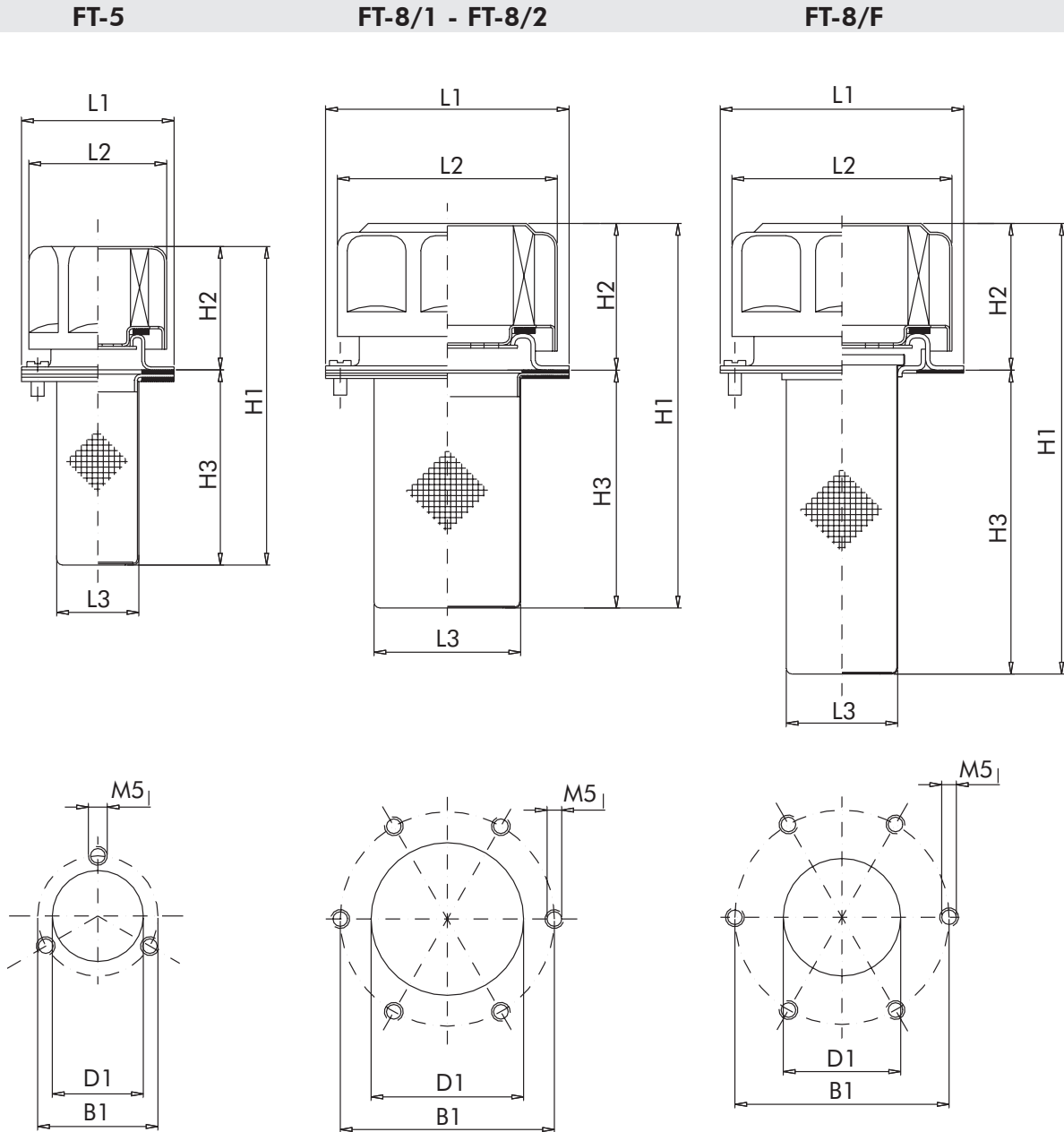
PRESSURIZING VALVE	
000	no pressurizing valve
*V03	0,35 bar / 5 psi
*V07	0,75 bar / 10,8 psi

*FT-8 only, see page 10

PADLOCK HOLDER	
0	no padlock holder
*L	with padlock holder

*FT-8 only, see page 10

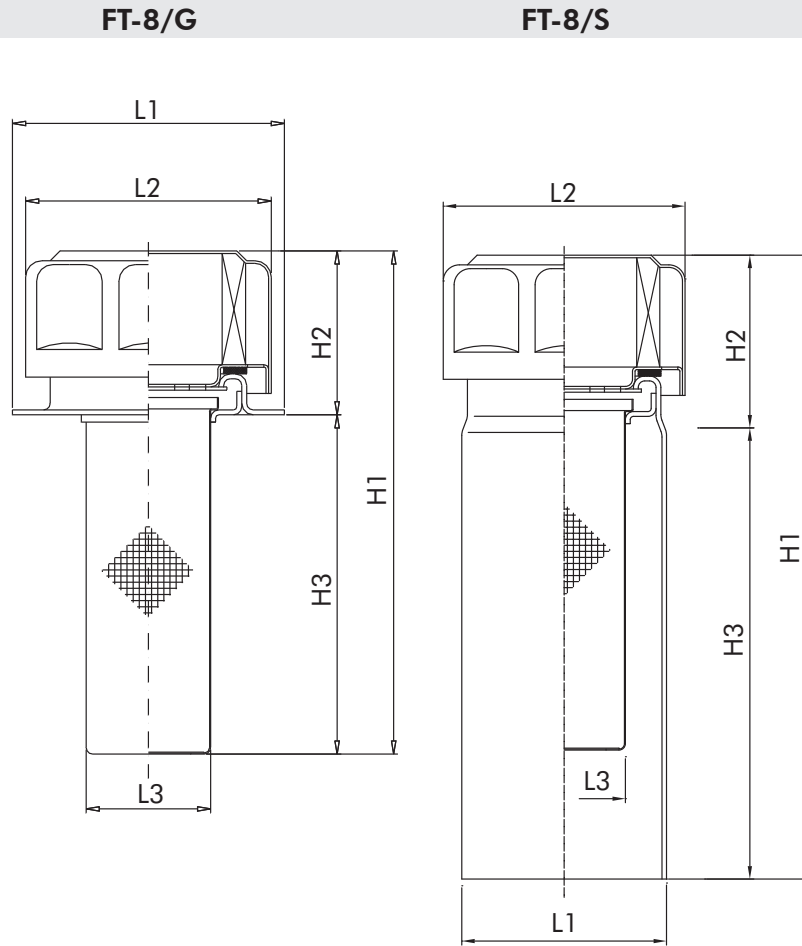
Overall dimensions



Nominal size

CODE	B1	D1	H1	H2	H3	L1	L2	L3	SAFETY CHAIN
FT-5	41	31	107	42	65	52	47	27,5	no
FT-8-.../1	73	52	130	50	80	83	75	50	yes
FT-8-.../2			200		150				yes
FT-8-.../F		40	150		100				no

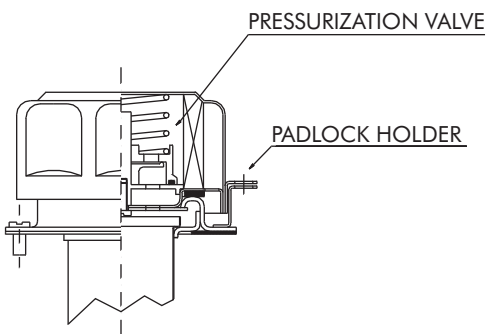
Overall dimensions



Nominal size

CODE	D1	H1	H2	H3	L1	L2	L3	SAFETY CHAIN
FT-8-.../G	40	150	50	100	83	75	38	no
FT-8-.../S	64	183		133	63,5			

Options



The FT-8 filler breathers can be supplied on request with some optional device:

- PRESSURIZATION VALVE
- PADLOCK HOLDER

N.B. FT-8/1 and /2 are equipped with a safety chain to avoid accidental loss of the cap



Air Filters and Filler Breathers series

www.filtrec.com

